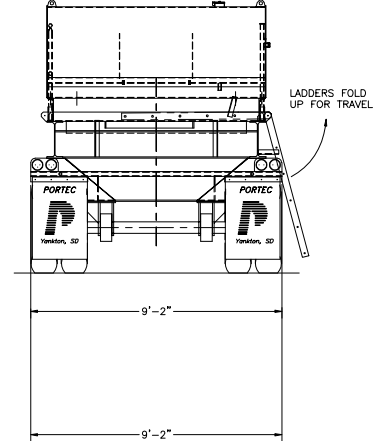
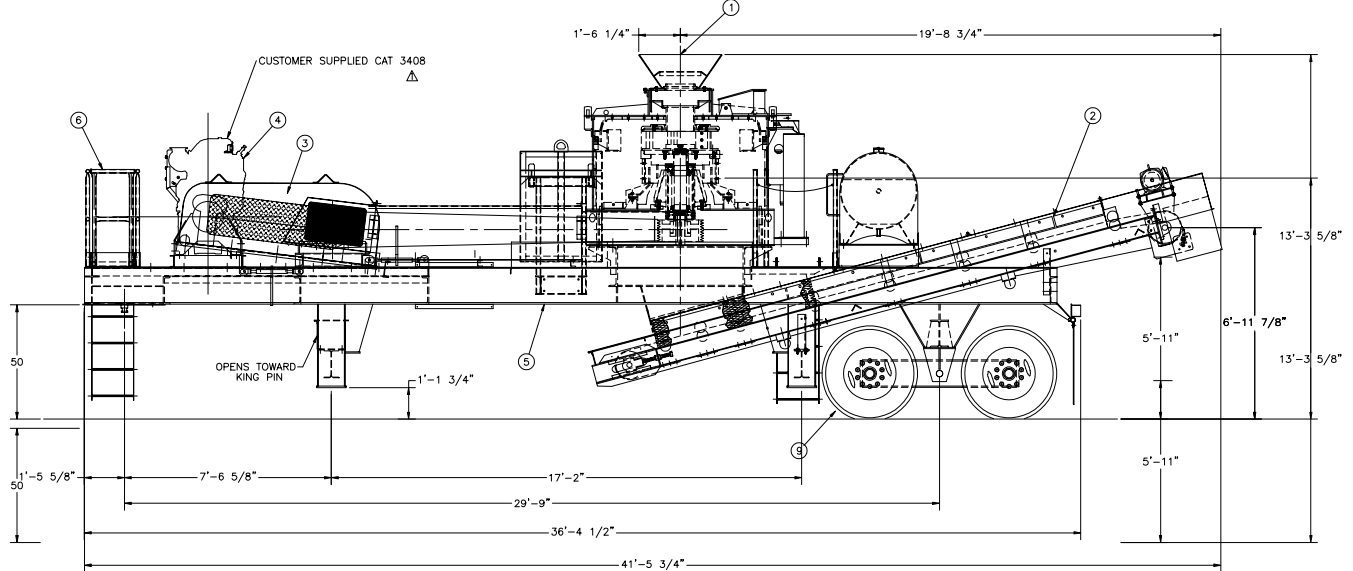


A  
A



ITEM	PART NO.	QUANTITY	DESCRIPTION
10	134427	1	DECAL PACKAGE
9	72811	8	TRK FRAME ASSY, BUID, 11.00 x 22.5
8	12749	1	17-PIN FEMALE CONNECTOR
7	97580	4	COMBINATION LAMP
6	134017	1	HAULWAY ASSEMBLY
5	134014	1	MAIN FRAME ASSEMBLY, W/TAIL LIGHTS
4	138024	1	DRIVE ASSEMBLY, DIESEL BY CUSTOMER
3	134005	1	COUNTERSHAFT DRIVE ASSEMBLY
2	134501	1	CONVEYOR, UNDER CRUSHER, 42' x 20'
1	134018	1	CRUSHER, 74" VSI ASSY

PLANT, 2500 DCV MASTER ASSEMBLY

REV D DRAWING NUMBER 138025

NO.	REV	DATE	BY	CHK	APP
1	CHG 3408 TO 3408				

TOLERANCES - UNLESS NOTED  
BETWEEN FINISH SURFACES  
FRACTIONAL: ± 1/64"  
DECIMAL: ± .010"  
DETAIL DIMENSIONS: ± 1/16"

**NOTICE**  
THIS PRINT IS THE PROPERTY OF  
PORTEC AND IS SUBJECT TO  
RECALL AT ANY TIME, AND IS NOT  
TO BE USED IN ANY WAY  
DEFERENTIAL TO THEIR INTEREST

DESIGN CJD  
DRAWN 01-15-98  
CHECKED DATE  
APPROVED DATE  
DWG NUMBER 138025  
SCALE 1/2" = 12"



PLANT, 2500 DCV MASTER ASSEMBLY

REV D DRAWING NUMBER 138025